



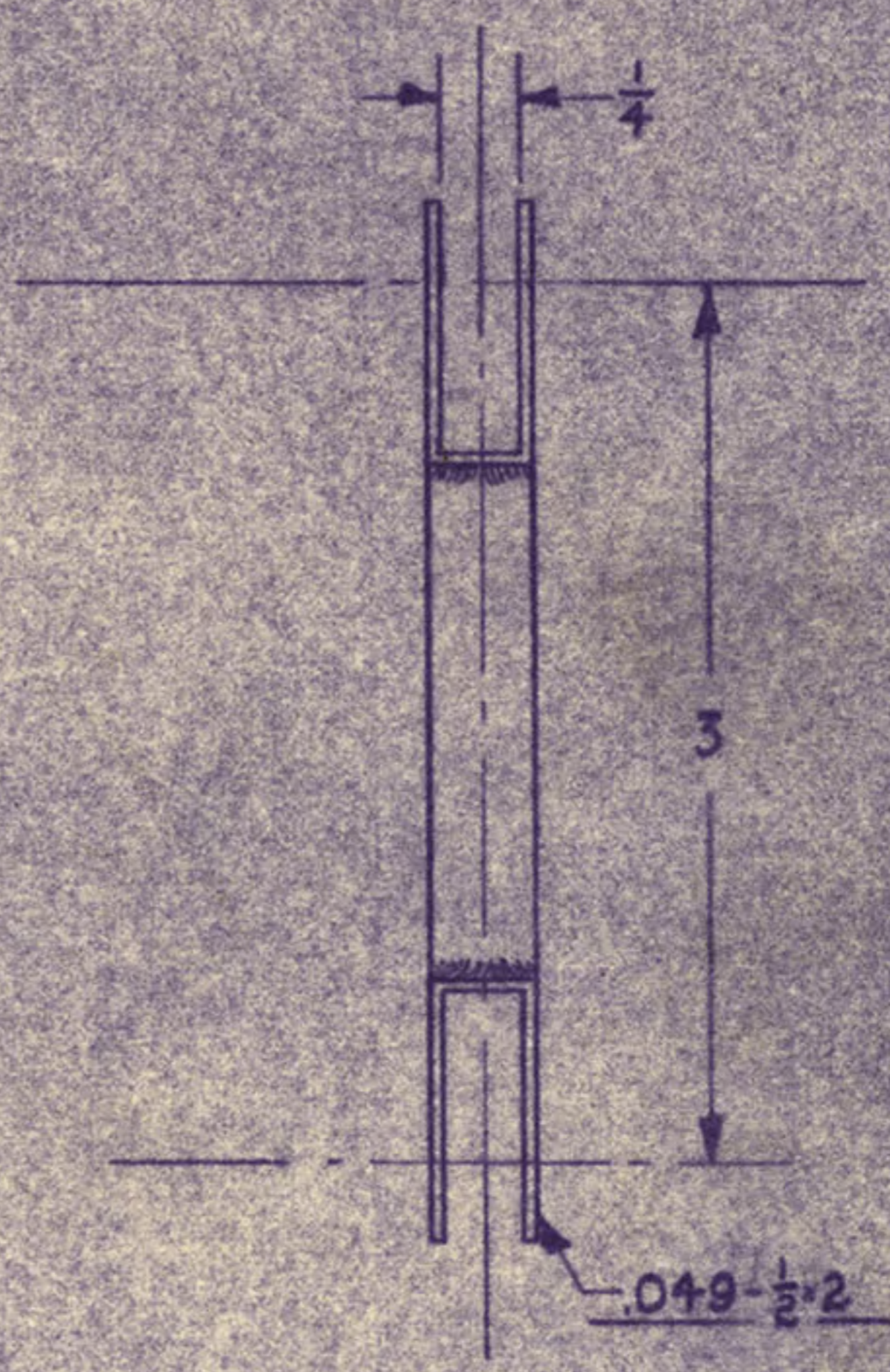
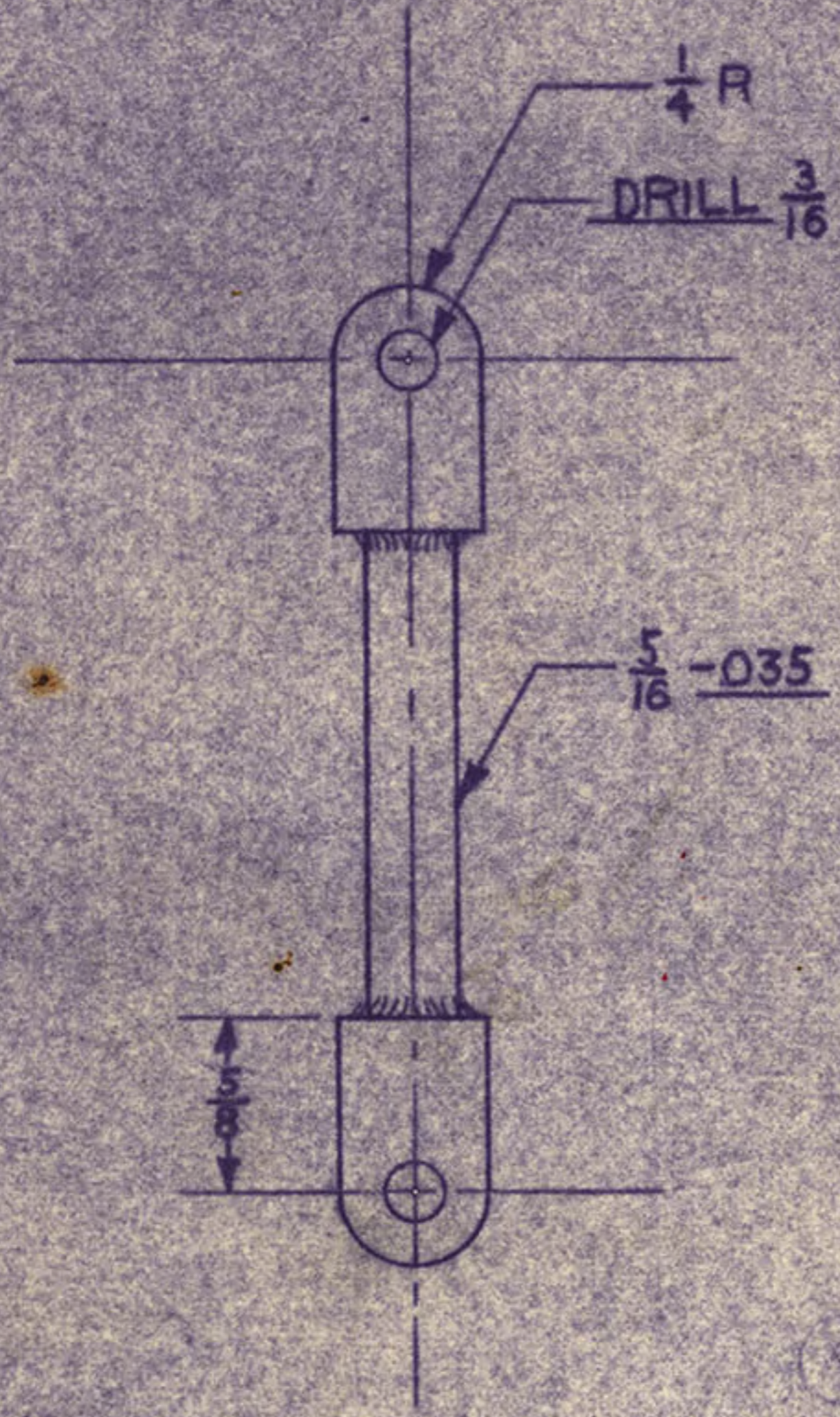
WICHITA STATE
UNIVERSITY

UNIVERSITY LIBRARIES

Drawings of C-145/165 chassis, 1938-1939

Item Type	Technical drawings;Image
Authors	Cessna Aircraft Company
Publisher	Wichita State University Libraries, Special Collections and University Archives, http://specialcollections.wichita.edu
Rights	Images are in the public domain or protected under U.S. copyright law (Title 17, U.S. Code), and may be used for research, instruction, and private study. Publication, commercial use, or reproduction, in print or digital format, of a copyrighted image or the accompanying data in accordance with Fair Use (sec. 107) requires users to provide prior written permission from the copyright holder. All images are to be cited as "Courtesy of Wichita State University Libraries, Special Collections and University Archives" and users are to let us know the intended use at specialcollections@wichita.edu .
Download date	2026-05-20 03:55:57
Link to Item	https://hdl.handle.net/10057/37848

C39352-5-2



WELD

APR 16 1941

SUPERCEDED BY CA0352

SUPERCEDED: SER. *482 & UP
EXCEPT: 484 & 485

TOLERANCE $\pm \frac{1}{32}$

DRAWN: F. T.	<u>LINK</u>	MATERIAL: 4130
CHECKED:		NO. REQ'D: 1
DATE: 8-4-38	CESSNA AIRCRAFT CO. WICHITA, KANSAS	C39352-5-2
SCALE: FULL		